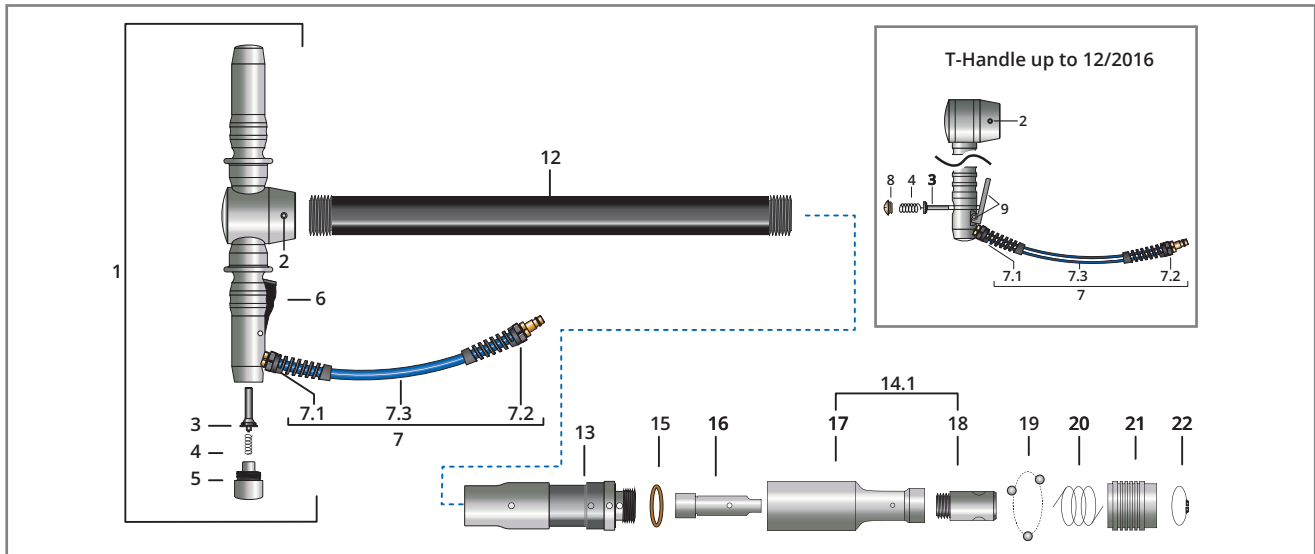


# VOGT TURBOSPATEN

## Sparepartslist VTS 60

(07-2017)

# VTS 60



Pos.	Description	Bestell-Nr.
1	T-Handle complete	160 090
2	Fastening screw	150 070
3	Valve with O-ring	025 015
4	Spring for valve	025 014
5	Spring for valve	160 012
6	Engaging lever with bolt	030 018
7	Connecting hose complete-set (pos. 7.1 - 7.3)	025 017
7.1	Bend protection device side	025 017-1
7.2	Bend protection connecting side	025 017-2
7.3	Connecting hose	025 017-3
8	Plug with O-ring	025 013
9	Engaging lever with bolt	025 018
12	Stick with thread	VTS 60-50 / Total Length 50 cm (Stick Length 8 cm) 160 080-8 VTS 60-65 / Total Length 65 cm (Stick Length 20 cm) 150 080-10 VTS 60-80 / Total Length 80 cm (Stick Length 35 cm) 150 080-25 VTS 60-100 / Total Length 100 cm (Stick Length 55 cm) 160 080-55 VTS 50-120 / Total Length 120 cm (Stick Length 75 cm) 160 080-75
13	Vibration damping complete mounted	060 020
14.1	Housing and tool holder mounted (Pos. 17, 18)	① Pos. 15, 22 150 101.18
15	Copper gasket	050 021
16	Piston for 18 mm hexagon	① Pos. 15 150 022
17	Housing	① Pos. 15 050 023
18	Tool holder 18 mm hexagon	① Pos. 18.1, 22 150 025
18.1	Screw locking-Set (not illustrated) for cleaning and locking the Tool holder	861 014
19	Ball set (3 pcs.) for 18 mm hexagon	① Pos. 22 150 024
20	Spring for clamping sleeve	① Pos. 22 050 026
21	Clamping sleeve	050 027
22	Retaining ring	050 029
23	Transport case (not illustrated)	0XX 035-90
24	Operation Manual EN (not illustrated) - Further languages on request	890 009

Shorter and longer sticks, as well as tools for repair on request. ① Recommendation: This item should be replaced in case of repair. All prices in Euro plus shipping charges and legal VAT. All services are subject to our standard business conditions. Subject to change without notice.