

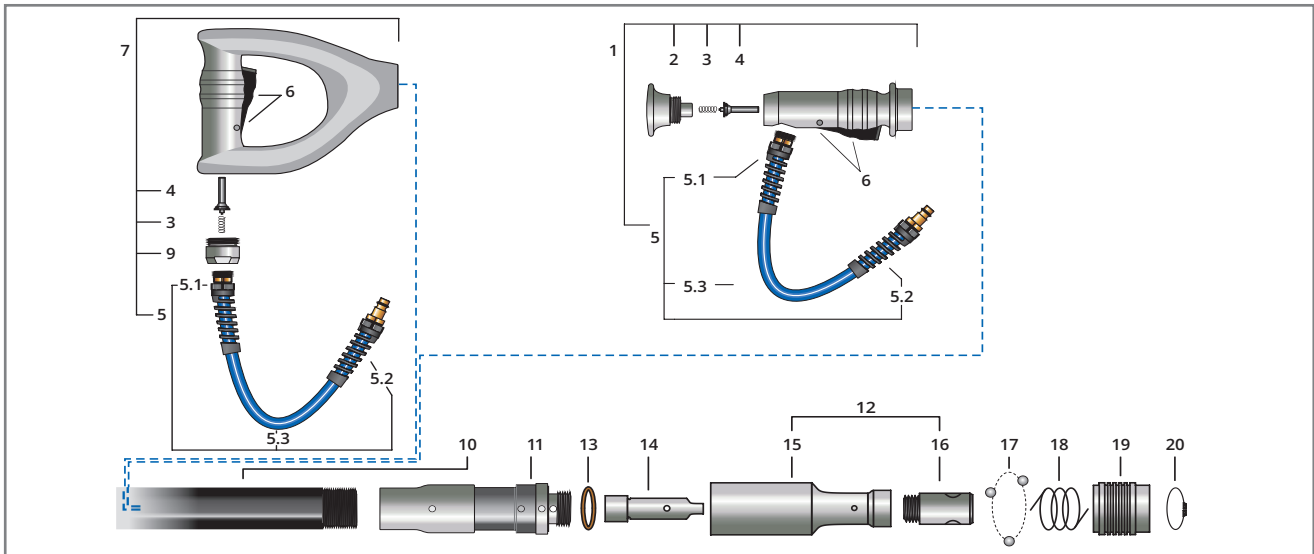
# VOGT HAMMER

Sparepartslist VH 60.18 D / VH 60.18

(07-2017)

**VH**  
**60.18D**

**VH**  
**60.18**



Pos.	Description	Item-No.	
1	Actuator conventional, complete (Pos. 2 - 6)	030 011	
2	Hand piece, round with O-Ring	030 012	
3	Valve spring	025 014	
4	Valve with O-ring	025 015	
5	Connecting hose complete-set (Pos. 5.1 - 5.3)	025 017	
5.1	Bend protection device side	025 017-1	
5.2	Bend protection connecting side	025 017-2	
5.3	Connecting hose	025 017-3	
6	Engaging lever with bolt	030 018	
7	Delta Handle, complete (Pos. 3 - 6, 9)	130 011	
8	Seal for sticking the stem threads - Only required for delta handle	861 013	
9	Connection fitting with O-Ring	130 012	
10	Stick with thread VH 60-70.18 / VH 60-70.18 D / Total Length 70 cm (Stick Length 15 cm)	060 016-70	
	VH 60-90.18 / VH 60-90.18 D / Total Length 90 cm (Stick Length 35 cm)	060 016-90	
	VH 60-110.18 / VH 60-110.18 D / Total Length 110 cm (Stick Length 55 cm)	060 016-110	
	VH 60-130.18 / VH 60-130.18 D / Total Length 130 cm (Stick Length 75 cm)	060 016-130	
11	Vibration damping complete mounted	060 020	
12	Housing with Tool holder mounted (Pos. 15, 16)	050 061.18	① Pos. 13, 20
13	Copper gasket	050 021	
14	Piston	150 022	① Pos. 13
15	Housing	050 023	① Pos. 13
16	Tool holder	150 025	① Pos. 16.1, 20
16.1	Screw locking-Set (not illustrated) for cleaning and locking the Tool holder	861 014	
17	Ball set (3 pcs.)	150 024	① Pos. 20
18	Spring for clamping sleeve	050 026	① Pos. 20
19	Clamping sleeve	050 027	① Pos. 20
20	Retaining ring	050 029	
30	Transport case (not illustrated)	025 030-60	VH 60-70.18, VH 60-90.18
		025 030-100	VH 60-110.18, VH 60-130.18
		0XX 035-90	VH 60-70.18 D, VH 60-90.18 D
31	Operation Manual EN (not illustrated) - Further languages on request	890 009	

Shorter and longer sticks, as well as tools for repair on request. ① Recommendation: This item should be replaced in case of repair. All prices in Euro plus shipping charges and legal VAT. All services are subject to our standard business conditions. Subject to change without notice.