

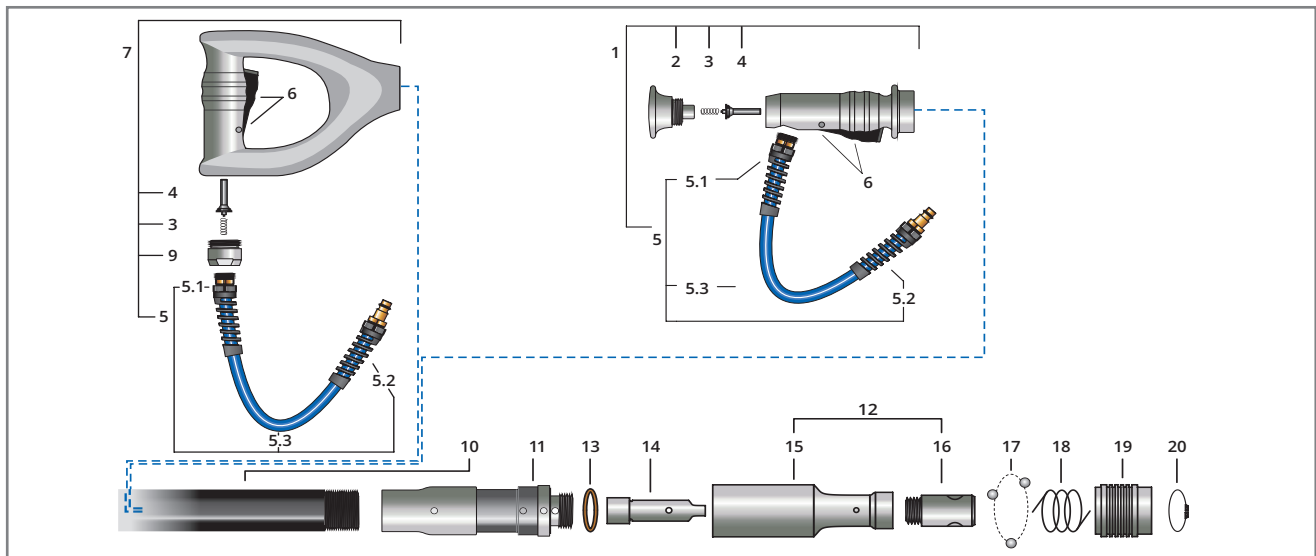
VOGT HAMMER

Sparepartslist VH 60.18 D / VH 60.18

(07-2017)

VH
60 D

VH
60



Pos.	Description	Item-No.
1	Actuator conventional, complete (Pos. 2 - 6)	030 011
2	Hand piece, round with O-Ring	030 012
3	Valve spring	025 014
4	Valve with O-ring	025 015
5	Connecting hose complete-set (Pos. 5.1 - 5.3)	025 017
5.1	Bend protection device side	025 017-1
5.2	Bend protection connecting side	025 017-2
5.3	Connecting hose	025 017-3
6	Engaging lever with bolt	030 018
7	Delta Handle, complete (Pos. 3 - 6, 9)	130 011
8	Seal for sticking the stem threads - Only required for delta handle	861 013
9	Connection fitting with O-Ring	130 012
10	Stick with thread	VH 60-70 / VH 60-70 D / Total Length 70 cm (Stick Length 15 cm) 060 016-70 VH 60-90 / VH 60-90 D / Total Length 90 cm (Stick Length 35 cm) 060 016-90 VH 60-110 / VH 60-110 D / Total Length 110 cm (Stick Length 55 cm) 060 016-110 VH 60-130 / VH 60-130 D / Total Length 130 cm (Stick Length 75 cm) 060 016-130
11	Vibration damping complete mounted	060 020
12	Housing with Tool holder mounted (Pos. 15, 16)	①Pos. 13, 20 050 061.18
13	Copper gasket	050 021
14	Piston	①Pos. 13 150 022
15	Housing	①Pos. 13 050 023
16	Tool holder	①Pos. 16.1, 20 150 025
16.1	Screw locking-Set (not illustrated) for cleaning and locking the Tool holder	861 014
17	Ball set (3 pcs.)	①Pos. 20 150 024
18	Spring for clamping sleeve	①Pos. 20 050 026
19	Clamping sleeve	①Pos. 20 050 027
20	Retaining ring	050 029
30	Transport case (not illustrated)	VH 60-70, VH 60-90 025 030-60 VH 60-110, VH 60-130 025 030-100 VH 60-70 D, VH 60-90 D 0XX 035-90
31	Operation Manual EN (not illustrated) - Further languages on request	890 009

Shorter and longer sticks, as well as tools for repair on request. ① Recommendation: This item should be replaced in case of repair. All prices in Euro plus shipping charges and legal VAT. All services are subject to our standard business conditions. Subject to change without notice.